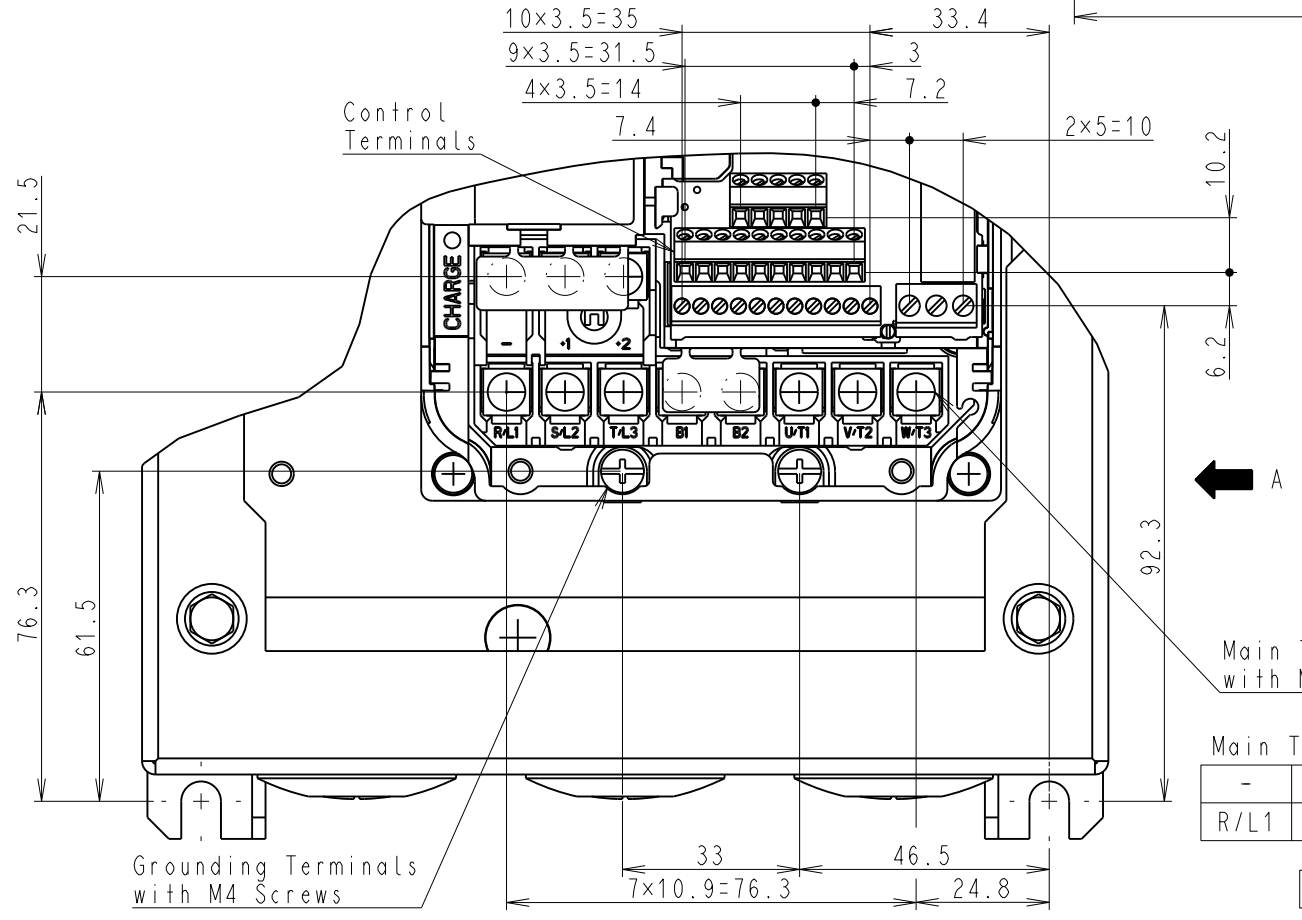
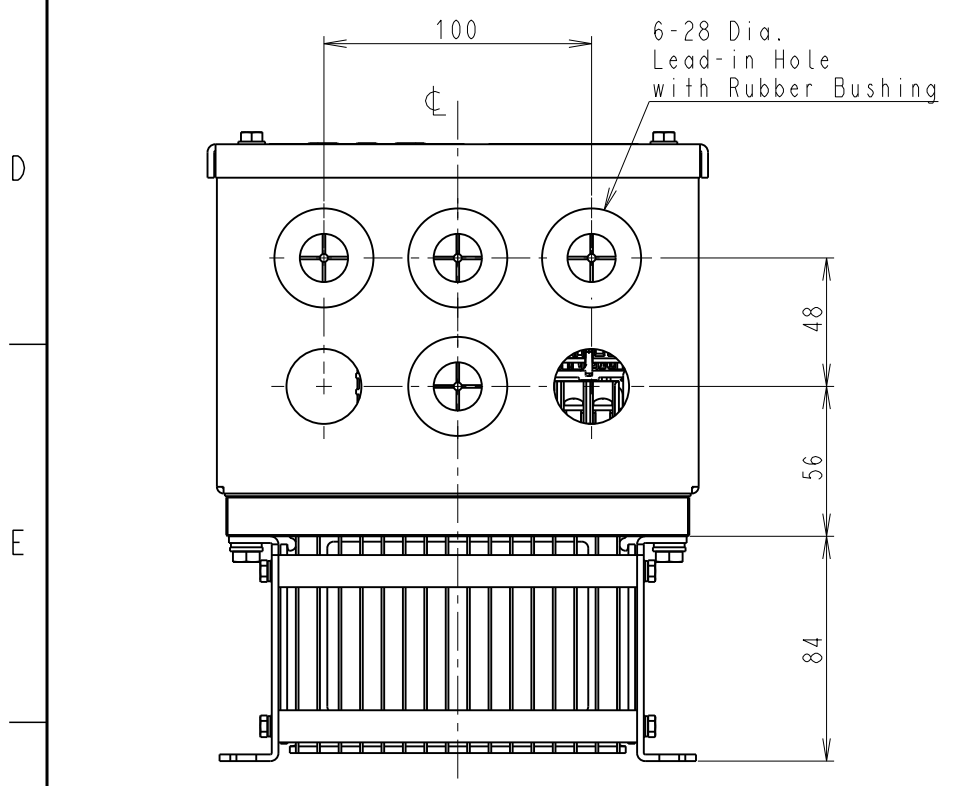
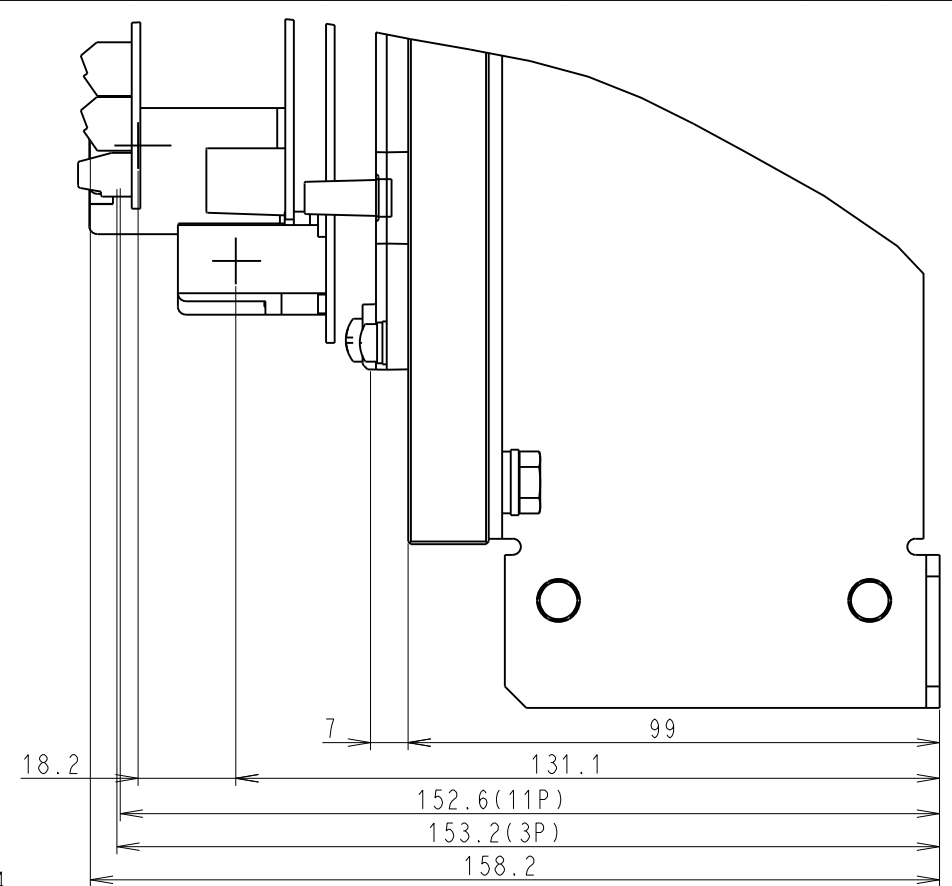
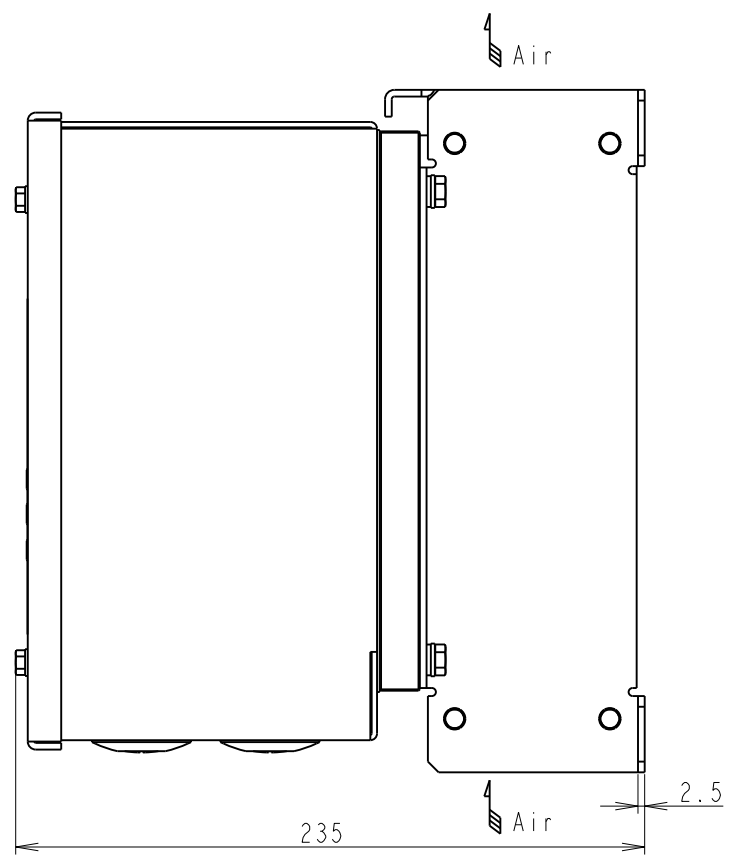
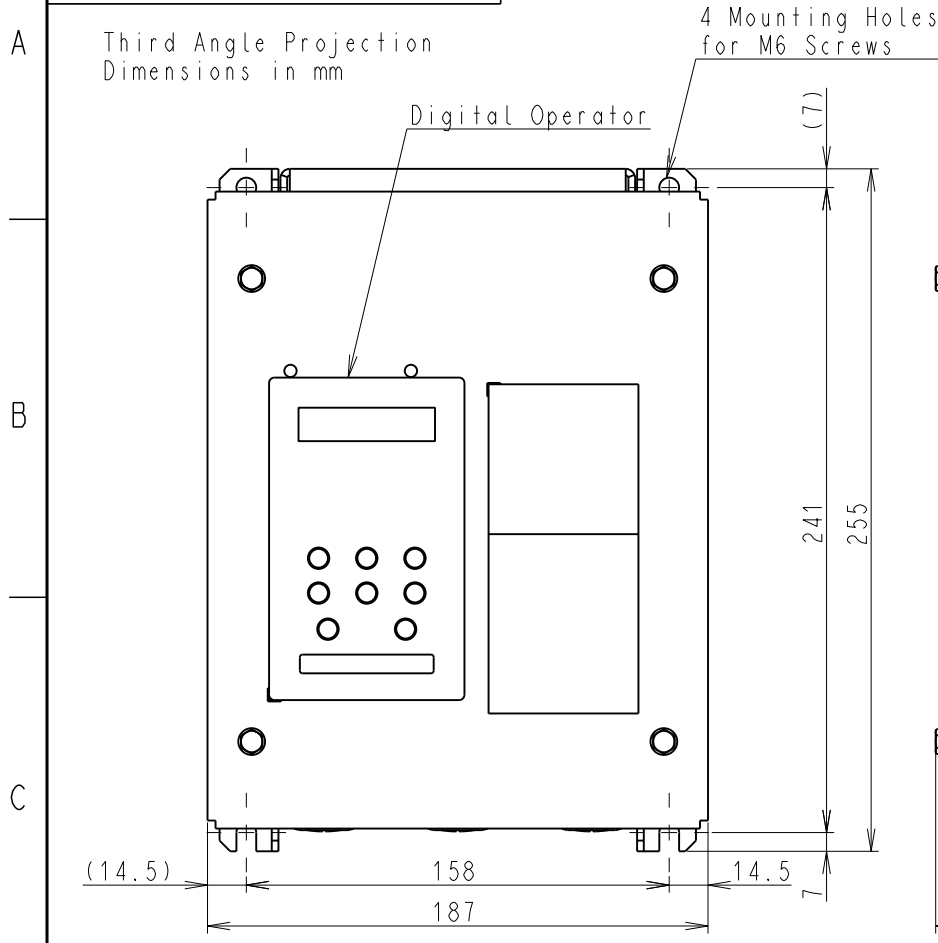


DWG. NO. EZZ901707-1/1

Model No.	Max Appli. Motor (kW)		Terminal Symbol			Cooling Fan	Mass (kg)
	Normal Duty	Heavy Duty	INPUT	OUTPUT (MOTOR)			
CIMR-V#2A0008G	1.5	1.1	R/L1 S/L2 T/L3	U/T1 V/T2 W/T3		-	7.7
CIMR-V#2A0010G	2.2	1.5					7.7



Detail (without Front cover) SCALE 1:√2

REVISIONS	SCALE 1:√2		DRAW. Jul.17,2008 A.Yoshimoto CHECK Jul.17,2008 K.Fukuda APPR. Jul.17,2008 H.Okayama	TITLE V1000 NEMA4X/IP66 TYPE DIMENSION DIAGRAM	DWG. NO. EZZ901707	REV. 1 1